

## IGF's Premium Quality FRP Flanges

### **Monolithic All Hand Lay-up Construction**

**Dimensions:** IGF flange, hub, and neck thicknesses meet or exceed ASME Sec. X, ASME RTP-1, ASTM D3299, and PS 15-69.

**Pressure Rating:** Flanges are stocked in 50psi, 100psi, and 150psi. All bolt holes and bolt circles are per ANSI B16.5 150 lb. drilling.

**Not Machined:** The nozzle necks and backs of IGF flanges are not machined. DuPont SW 12 S 6.7.1.1. says, "Overall machine facing of the back of the hand lay-up flange is not permitted."

**Resin:** Flanges are stocked in Ashland Hetron 922, both MEKP and BPO DMA cure. We also have a large inventory of Derakane D470 and ISO flanges. Other resins are available upon request.

**110 mil Corrosion Liner:** C-Veil+Nexus+2 Mat. D470 and BPO flanges are all double nexus construction.

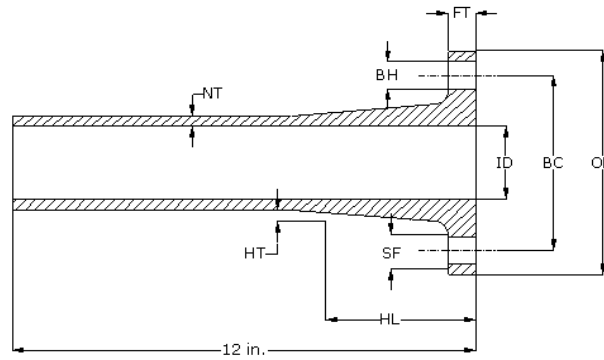
**Resin Coating:** All bolt holes and spot facing are resin coated.

**Abrasion Resistant Flanges:** IGF can produce flanges to meet your specific requirements. We have extensive experience in producing abrasion resistant flanges to handle the abrasion problems encountered in the Coal Fired Electric Generation Industry. Fly Ash, Bottom Ash and other abrasive slurries can now be handled through the introduction of fine particles of Silicon Carbide into our standard corrosion barrier.



**All IGF** flanges are of Type II construction, Mat plus alternating layers Mat and Woven, making our flanges 1.7 times stronger in the critical flange and hub area than a typical Type I (all Mat) flange.





### Flange Dimensions

Inside Diameter ID (in)	Flange Diameter OD (in)	Flange Thickness FT (in)	Hub Thickness HT (in)	Hub Length HL (in)	Nozzle Thickness NT (in)	Bolt Circle Diameter BC (in)	Bolt Hole Diameter BH (in)	Spot Face Diameter SF (in)
-------------------------	-------------------------	--------------------------	-----------------------	--------------------	--------------------------	------------------------------	----------------------------	----------------------------

#### 50 PSI

1	4 1/4	1/2	1/4	2	1/4	3 1/8	5/8	1 9/16
1.5	5 1/2	1/2	1/4	2	1/4	3 7/8	5/8	1 9/16
2	6 1/2	9/16	9/32	2 1/4	1/4	4 3/4	3/4	1 3/4
3	8	9/16	9/32	2 1/4	1/4	6	3/4	1 3/4
4	9 1/2	11/16	11/32	2 3/4	1/4	7 1/2	3/4	1 3/4
6	11 1/2	11/16	11/32	2 3/4	1/4	9 1/2	7/8	2
8	14	13/16	13/32	3 1/4	5/16	11 3/4	7/8	2
10	16 1/2	15/16	13/32	3 3/4	5/16	14 1/4	1	2 1/4
12	19 1/2	1 1/16	1/2	4 1/4	5/16	17	1	2 1/4
14	21	1 1/16	5/8	4 1/2	3/8	18 3/4	1 1/8	2 1/2
16	23 1/2	1 1/4	5/8	5	3/8	21 1/4	1 1/8	2 1/2
18	25	1 3/8	11/16	5 1/2	7/16	22 3/4	1 1/4	2 3/4
20	27 1/2	1 1/2	3/4	6	7/16	25	1 1/4	2 3/4
24	32	1 5/8	13/16	6 1/2	1/2	29 1/2	1 3/8	3

#### 100 PSI

1	4 1/4	9/16	9/32	2 1/4	1/4	3 1/8	5/8	1 9/16
1.5	5 1/2	9/16	9/32	2 1/4	1/4	3 7/8	5/8	1 9/16
2	6 1/2	5/8	5/16	2 1/2	1/4	4 3/4	3/4	1 3/4
3	8	3/4	3/8	3	1/4	6	3/4	1 3/4
4	9 1/2	7/8	7/16	3 1/2	5/16	7 1/2	3/4	1 3/4
6	11 1/2	1	1/2	4	5/16	9 1/2	7/8	2
8	14	1 1/16	17/32	4 1/4	3/8	11 3/4	7/8	2
10	16 1/2	1 1/4	5/8	5	7/16	14 1/4	1	2 1/4
12	19 1/2	1 1/2	3/4	6	1/2	17	1	2 1/4
14	21	1 9/16	25/32	6 1/4	9/16	18 3/4	1 1/8	2 1/2
16	23 1/2	1 11/16	13/16	6 3/4	5/8	21 1/4	1 1/8	2 1/2
18	25	1 13/16	15/16	7 1/4	11/16	22 3/4	1 1/4	2 3/4
20	27 1/2	2	1	8	3/4	25	1 1/4	2 3/4
24	32	2 5/16	1 3/16	9 1/4	7/8	29 1/2	1 3/8	3

#### 150 PSI

1	4 1/4	11/16	11/32	2 3/4	1/4	3 1/8	5/8	1 9/16
1.5	5 1/2	11/16	11/32	2 3/4	1/4	3 7/8	5/8	1 9/16
2	6 1/2	3/4	3/8	3	1/4	4 3/4	3/4	1 3/4
3	8	7/8	7/16	3 1/2	5/16	6	3/4	1 3/4
4	9 1/2	1	1/2	4	5/16	7 1/2	3/4	1 3/4
6	11 1/2	1 1/8	9/16	4 1/2	7/16	9 1/2	7/8	2
8	14	1 5/16	21/32	5 1/4	1/2	11 3/4	7/8	2
10	16 1/2	1 1/2	3/4	6	9/16	14 1/4	1	2 1/4
12	19 1/2	1 7/8	15/16	7 1/2	11/16	17	1	2 1/4
14	21	2	1	8	13/16	18 3/4	1 1/8	2 1/2
16	23 1/2	2 1/4	1 1/8	9	1	21 1/4	1 1/8	2 1/2
18	25	2 1/4	1 1/8	9	1 1/16	22 3/4	1 1/4	2 3/4
20	27 1/2	2 3/8	1 3/16	9 1/2	1 3/16	25	1 1/4	2 3/4
24	32	2 3/4	1 3/8	11	1 7/16	29 1/2	1 3/8	3

This information is provided as a guide to the use and application of IGF Flanges and is not or does not represent a specific warranty of the product or its performance.