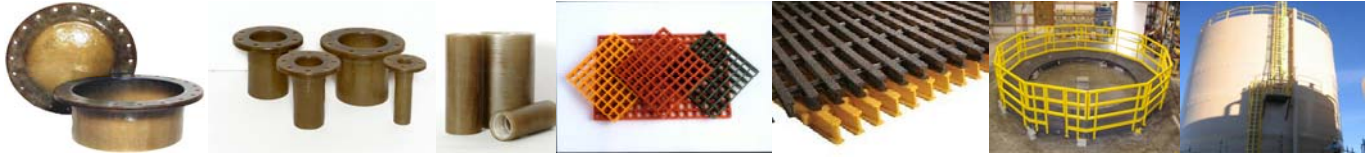


International Grating & Flanges, Inc.

A Leader in the Corrosion Resistant Industry



Fabrication

FRP Platforms, Handrails and Ladders

IGF offers the industry's finest FRP platform kits, turn-key platforms, ladders and handrails. FRP combines corrosion resistance, long life and low maintenance making it superior to metal systems. Components are lightweight and easy to fabricate making installation easier.

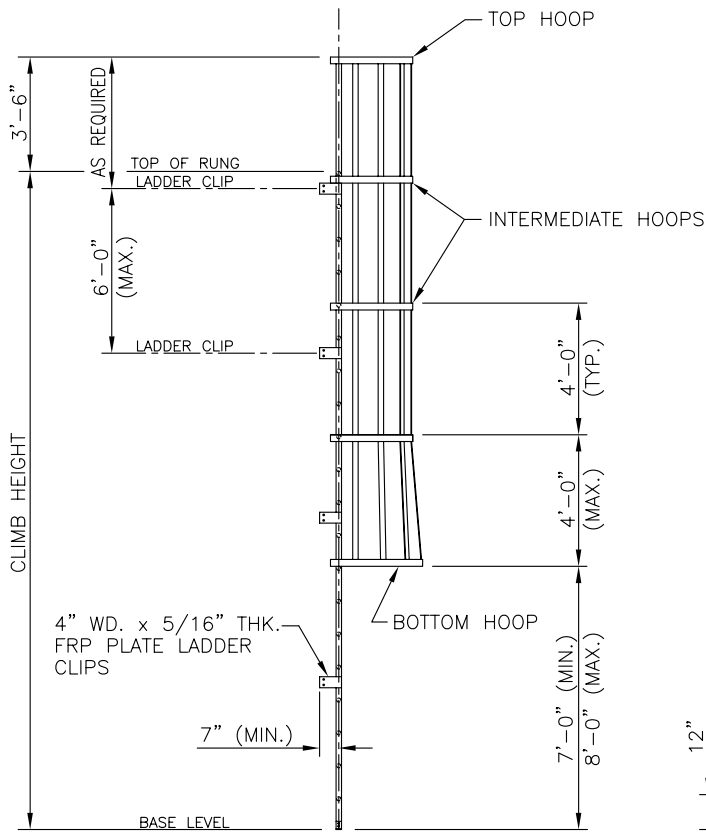
Platforms are made using **IGF** molded and pultruded grating along with pultruded structurals. PE stamped calculations (available for most states) can be provided at an additional cost. Heavy duty versions are also available.

Please contact IGF for a quotation.

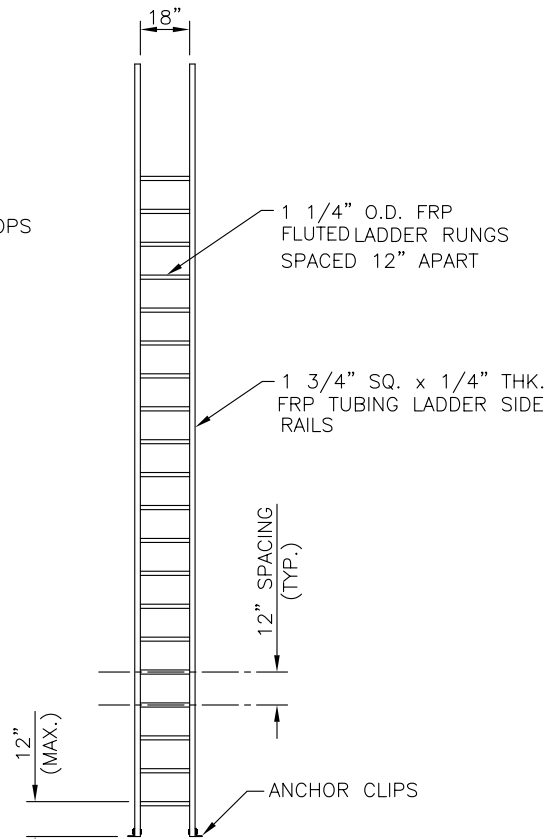


P.O. Box 2477, 7660 Cottonwood Rd, Harrison AR 72601 Ph: 870-741-6500 Fax: 870-741-6512

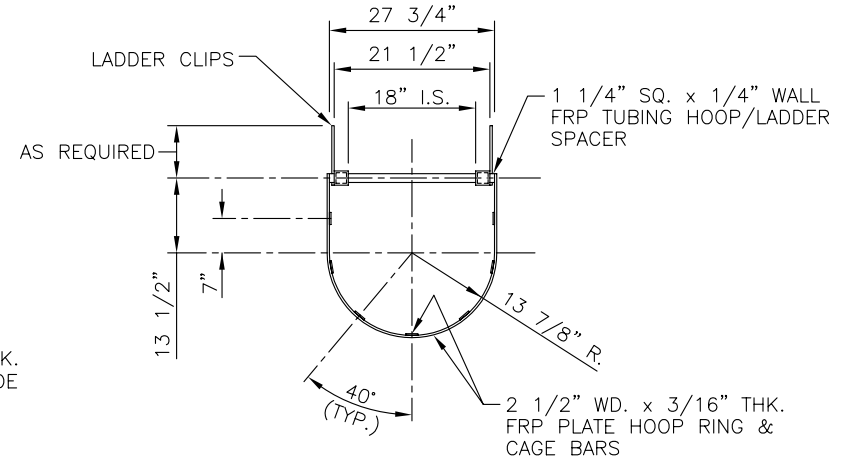
Email sales@igf.net Web Site www.igf.net



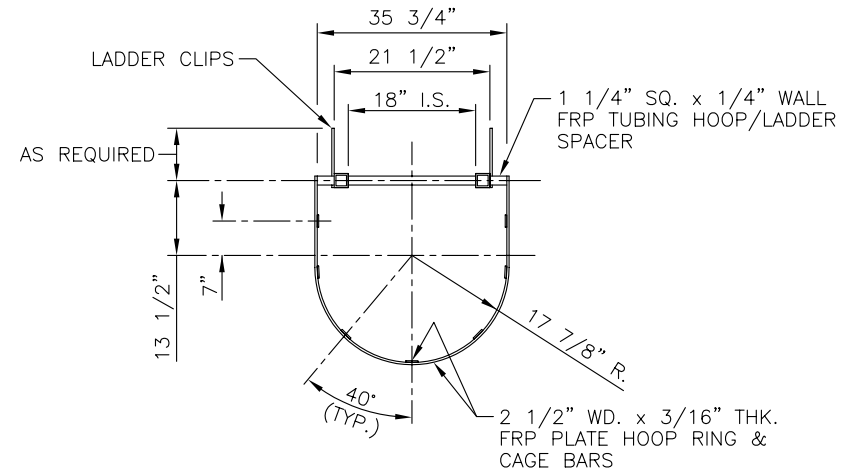
CAGED LADDER SIDE VIEW



LADDER FRONT VIEW



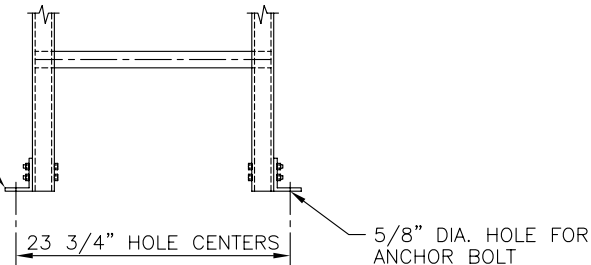
TOP & INTERMEDIATE HOOPS



BOTTOM ENTRANCE HOOP

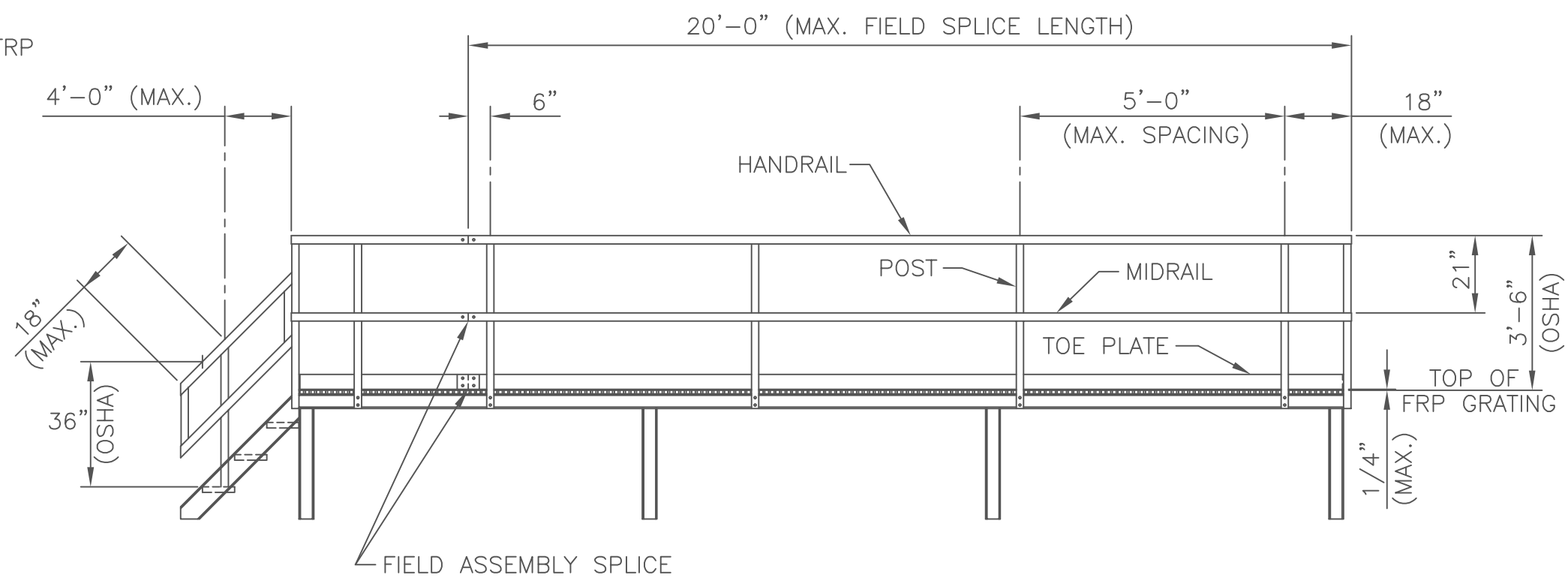
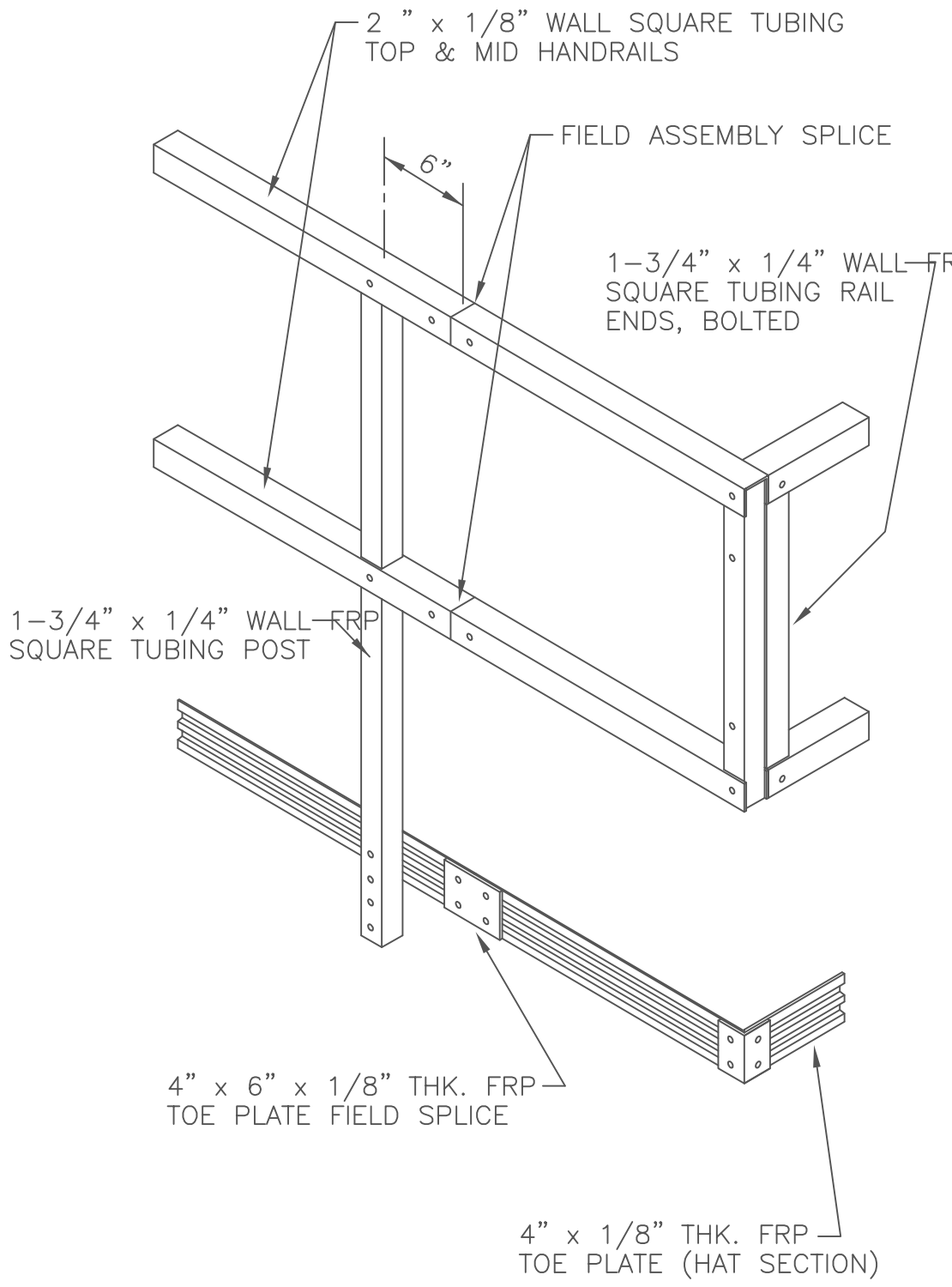
3" x 2 1/2" x 5/16" THK. FRP ANGLE ANCHOR CLIPS

CUSTOMER NOTE:
SHIM BOTTOM OF ANCHOR CLIPS & LADDER RAILS AS REQUIRED FOR FULL LADDER SUPPORT AT BASE



ANCHOR CLIP BASE DETAIL

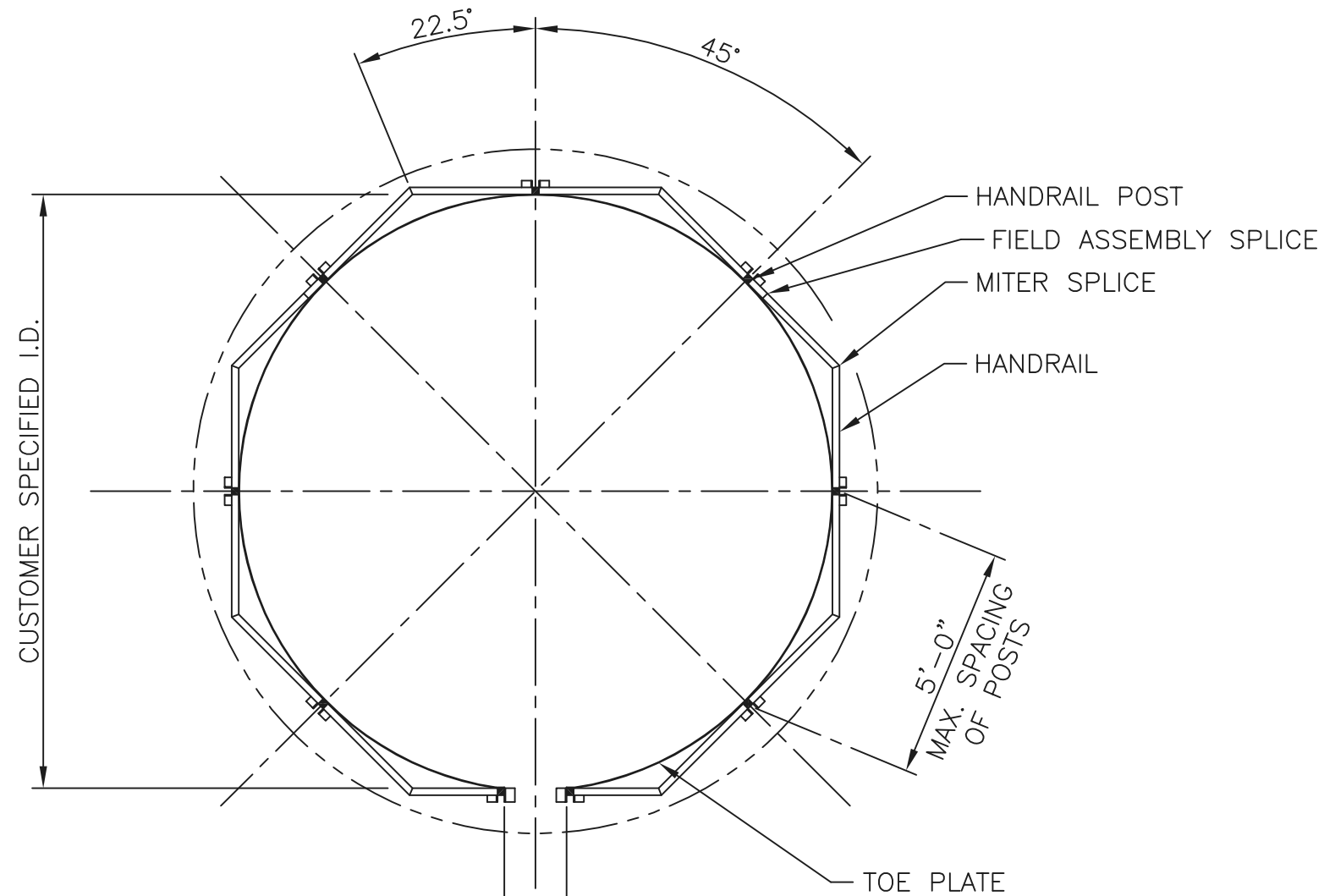
International Grating & Flanges, Inc.			
P.O. Box 2477		Harrison, Arkansas 72602-2477	
Ph: (870) 741-6500		Fax: (870) 741-6512	
REVISIONS	SCALE: NTS	APPROVED BY:	DRAWN BY:
NO.	DATE	DATE: 4/20/99	M.F.M.
STANDARD CAGED & UNCAGED OSHA STYLE FIBERGLASS LADDERS			
COLOR: OSHA SAFETY YELLOW		SHEET NO. 1 of 1	DRAWING NO. STD-001S



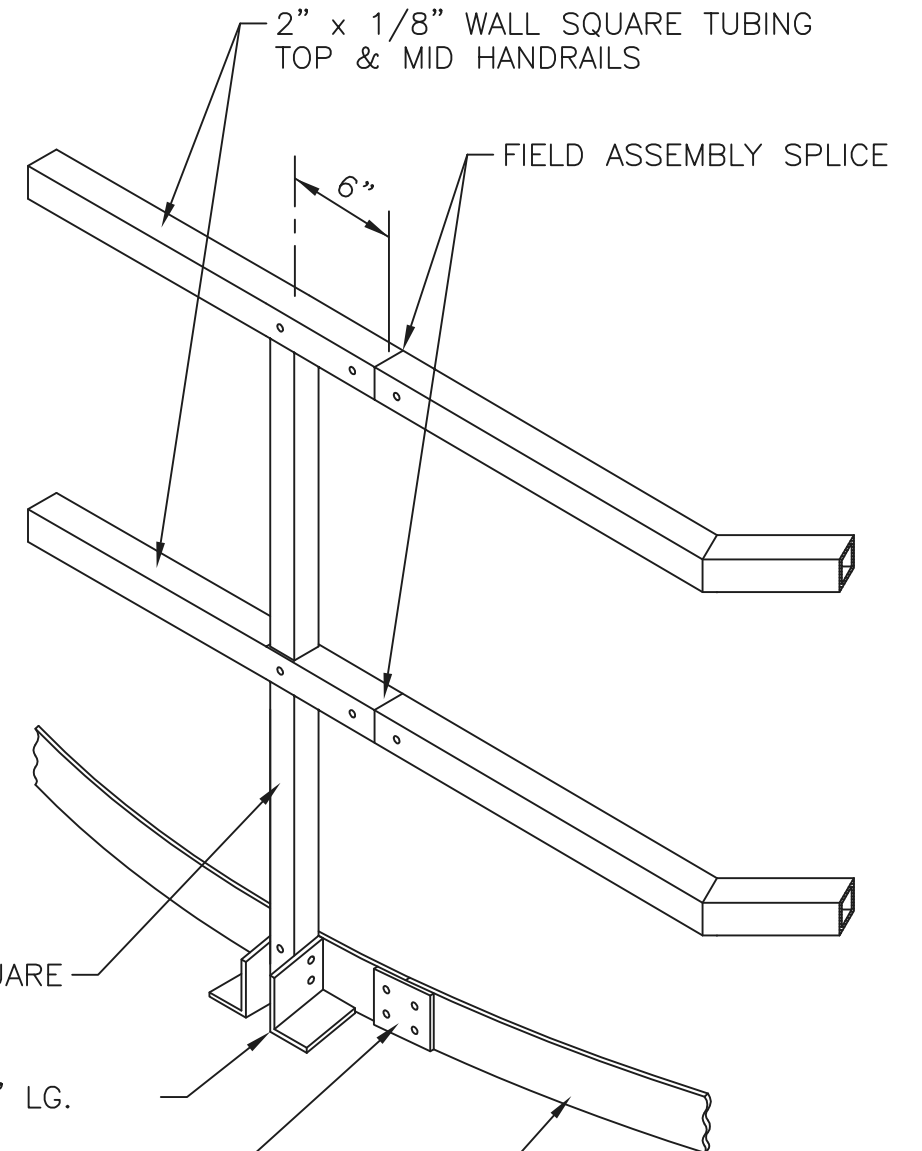
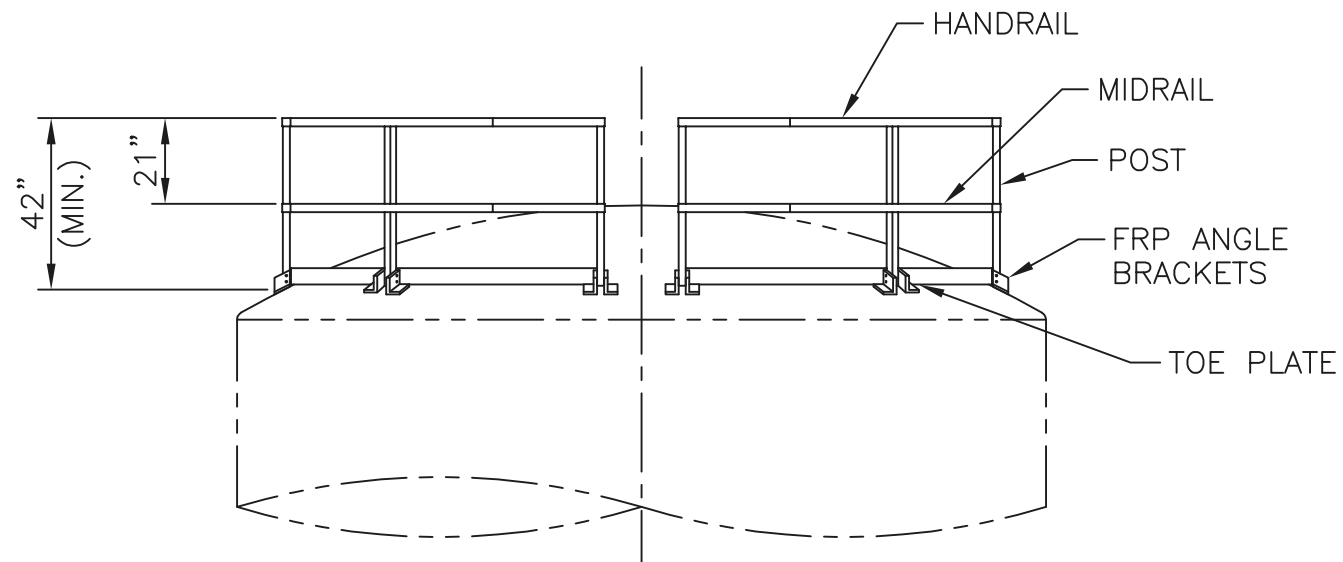
FIBERGLASS SQUARE OR RECTANGULAR PLATFORM HANDRAIL ASSEMBLY

FIBERGLASS HANDRAIL DETAIL

International Grating & Flanges, Inc.			
P.O. Box 2477		Harrison, Arkansas 72602-2477	
Ph.: (870) 741-6500		Fax: (870) 741-6512	
REVISIONS		SCALE: NTS	APPROVED BY:
NO.	DATE:	DATE: 3/23/99	DRAWN BY: <i>M.F.M.</i>
STANDARD SQUARE & RECTANGULAR PLATFORMS OSHA STYLE FIBERGLASS HANDRAILS			
COLOR: OSHA SAFETY YELLOW		SHEET NO. 1 OF 1	DRAWING NO. STD-003



18" (MIN.)
24" (MAX.)
ACCESS OPENING



1 3/4" x 1/4" WALL SQUARE
TUBING POST

6" x 3" x 3/8" THK. x 3-1/2" LG.
FRP ANGLE MOUNTING BRACKET

4" x 6" x 1/4" THK. FRP
TOE PLATE SPLICE

4" x 1/8" THK. TOE PLATE
BENT TO INSIDE RADIUS OF
HANDRAIL POST

MITERED HANDRAIL DETAIL

FIBERGLASS DOMED TOP TANK HANDRAIL ASSEMBLY

International Grating & Flanges, Inc.

P.O. Box 2477 Harrison, Arkansas 72602-2477
Ph.: (870) 741-6500 Fax: (870) 741-6512

REVISIONS			SCALE: NTS	APPROVED BY:	DRAWN BY:
NO.	DATE:	BY:	DATE: 4/20/99		M.F.M.
			STANDARD DOME TOP TANK OSHA STYLE FIBERGLASS HANDRAILS		
			COLOR: OSHA SAFETY YELLOW	SHEET No. 1 of 1	DRAWING NO. STD-002S